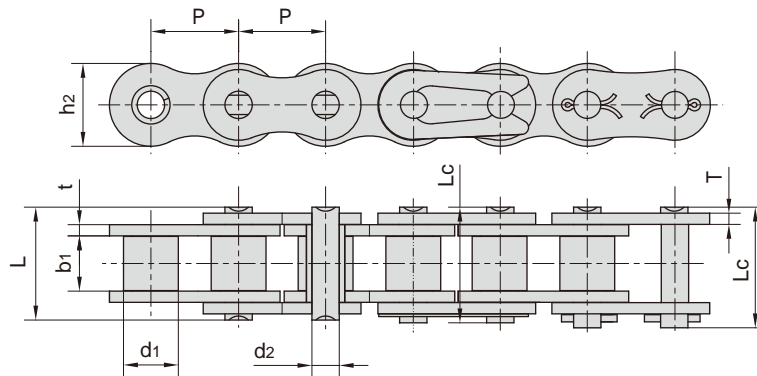


达克罗链条适合于有腐蚀性的场合
Dacromet-plated chains are suitable for corrosive conditions



| 东华链号 Donghua Chain No. | 节距 Pitch | 滚子直径 Roller diameter | 内节内宽 Width between inner plates | 销轴直径 Pin diameter | 销轴长度 Pin length | | 内链板高度 Inner plate depth | 链板厚度 Plate thickness | 破断载荷 Breaking load | 每米长重 Weight per meter |
|------------------------------|-------------|----------------------------|--|-------------------------|-----------------------|-----------|----------------------------------|----------------------------|--------------------------|--------------------------------|
| | P | d1 max | b1 min | d2 max | L max | Lc max | h2 max | t/T max | Q | q |
| | mm | mm | mm | mm | mm | mm | mm | mm | kN/lbf | kg/m |
| *25DR | 6.350 | 3.30 | 3.18 | 2.31 | 7.90 | 8.40 | 6.00 | 0.80 | 3.50/795 | 0.15 |
| *35DR | 9.525 | 5.08 | 4.77 | 3.58 | 12.40 | 13.17 | 9.00 | 1.30 | 7.90/1795 | 0.33 |
| 41DR | 12.700 | 7.77 | 6.25 | 3.58 | 13.75 | 15.00 | 9.91 | 1.30 | 6.67/1516 | 0.41 |
| 40DR | 12.700 | 7.95 | 7.85 | 3.96 | 16.60 | 17.80 | 12.00 | 1.50 | 14.10/3205 | 0.62 |
| 50DR | 15.875 | 10.16 | 9.40 | 5.08 | 20.70 | 22.20 | 15.09 | 2.03 | 22.20/5045 | 1.02 |
| 60DR | 19.050 | 11.91 | 12.57 | 5.94 | 25.90 | 27.70 | 18.00 | 2.42 | 31.80/7227 | 1.50 |
| 80DR | 25.400 | 15.88 | 15.75 | 7.92 | 32.70 | 35.00 | 24.00 | 3.25 | 56.70/12886 | 2.60 |
| 100DR | 31.750 | 19.05 | 18.90 | 9.53 | 40.40 | 44.70 | 30.00 | 4.00 | 88.50/20114 | 3.91 |
| 120DR | 38.100 | 22.23 | 25.22 | 11.10 | 50.30 | 54.30 | 35.70 | 4.80 | 127.00/28864 | 5.62 |
| 140DR | 44.450 | 25.40 | 25.22 | 12.70 | 54.40 | 59.00 | 41.00 | 5.60 | 172.40/39182 | 7.50 |
| 160DR | 50.800 | 28.58 | 31.55 | 14.27 | 64.80 | 69.60 | 47.80 | 6.40 | 226.80/51545 | 10.10 |
| 04BDR | 6.000 | 4.00 | 2.80 | 1.85 | 6.80 | 7.80 | 5.00 | 0.60 | 3.00/682 | 0.11 |
| 05BDR | 8.000 | 5.00 | 3.00 | 2.31 | 8.20 | 8.90 | 7.10 | 0.80 | 5.00/1136 | 0.20 |
| #06BDR | 9.525 | 6.35 | 5.72 | 3.28 | 13.15 | 14.10 | 8.20 | 1.30 | 9.00/2045 | 0.41 |
| 08BDR | 12.700 | 8.51 | 7.75 | 4.45 | 16.70 | 18.20 | 11.80 | 1.60 | 18.00/4091 | 0.69 |
| 10BDR | 15.875 | 10.16 | 9.65 | 5.08 | 19.50 | 20.90 | 14.70 | 1.70 | 22.40/5091 | 0.93 |
| 12BDR | 19.050 | 12.07 | 11.68 | 5.72 | 22.50 | 24.20 | 16.00 | 1.85 | 29.00/6591 | 1.15 |
| 16BDR | 25.400 | 15.88 | 17.02 | 8.28 | 36.10 | 37.40 | 21.00 | 4.15/3.1 | 60.00/13636 | 2.71 |
| 20BDR | 31.750 | 19.05 | 19.56 | 10.19 | 41.30 | 45.00 | 26.40 | 4.5/3.5 | 95.00/21591 | 3.70 |
| 24BDR | 38.100 | 25.40 | 25.40 | 14.63 | 53.40 | 57.80 | 33.20 | 6.0/4.8 | 160.00/36364 | 7.10 |
| 28BDR | 44.450 | 27.94 | 30.99 | 15.90 | 65.10 | 69.50 | 36.70 | 7.5/6.0 | 200.00/45455 | 8.50 |
| 32BDR | 50.800 | 29.21 | 30.99 | 17.81 | 66.00 | 71.00 | 42.00 | 7.0/6.0 | 250.00/56818 | 10.25 |

*套筒链：表中滚子直径d1为套筒直径

*Bush chain: d1 in the table indicates the external diameter of the bush

#直链板

#Straight side plates

注意：上述规格的双排链和叁排链、双节距输送链系列依照要求也适合镀达克罗

Note: Duplex & Triplex dacromet - plated chains are available in all sizes

Double pitch dacromet - plated conveyor chains are available upon request