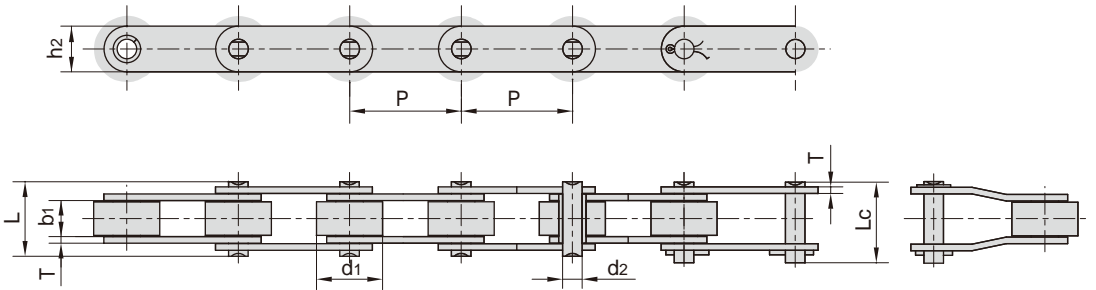
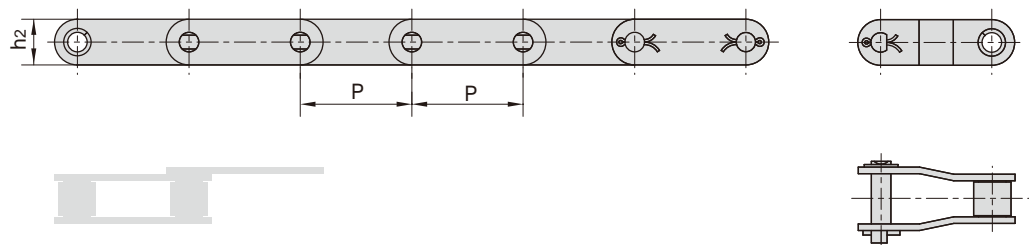
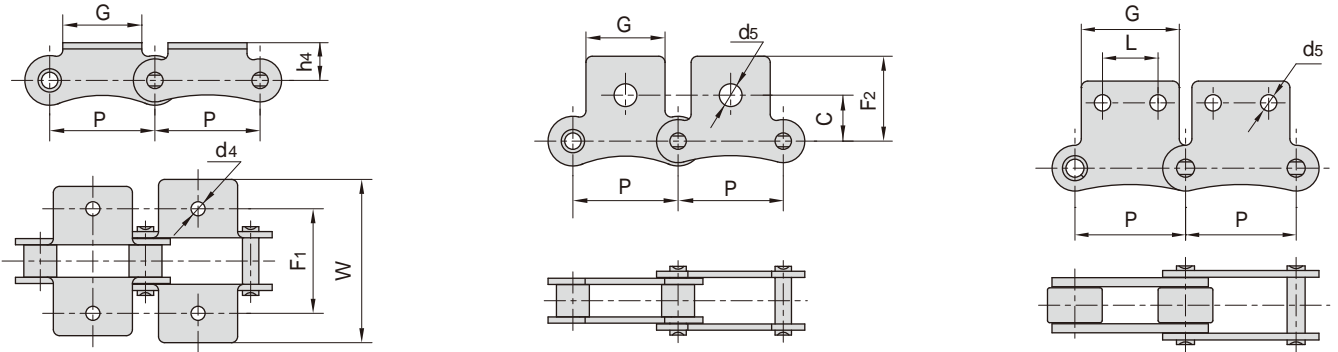


大滚子型 Large Roller Type



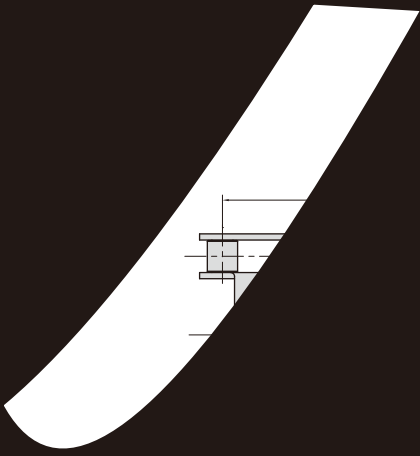


大滚子型 Large Roller Type

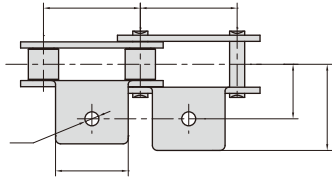


DIN/ISO 链号 DIN/ISO Chain No.	ANSI 链号 ANSI Chain No.	P	G	F <sub>1</sub>	W	h <sub>4</sub>	d <sub>4</sub>	C	F <sub>2</sub>	d <sub>5</sub>
		mm	mm	mm	mm	mm	mm	mm	mm	mm
208A	2040	25.40	19.1	25.4	39.6	9.1	3.4	11.1	20.5	5.5
210A	2050	31.75	23.8	31.8	49.0	11.1	5.5	14.3	25.0	6.6
212A	2060	38.10	28.6	42.9	67.8	14.7	5.5	17.5	32.9	9.2
216A	2080	50.80	38.1	55.6	87.8	19.1	6.8	22.2	43.5	11.0
220A	2100	63.50	47.6	66.6	107.5	23.4	9.2	28.6	50.4	13.0
224A	2120	76.20	57.2	79.3	121.4	27.8	10.5	33.3	55.5	15.0
208B		25.40	23.2	25.4	39.6	9.1	4.5	11.1	20.5	5.5
210B		31.75	23.8	31.8	49.0	11.1	5.5			
212B		38.10	35.0	38.1	57.0	14.7	6.6			
216B		50.80	44.0	50.8	84.0	19.1	6.6			
220B		63.50	52.0	63.5	104.0	23.4	8.4			
224B		76.20	60.0	76.2	120.0	27.8	10.5			

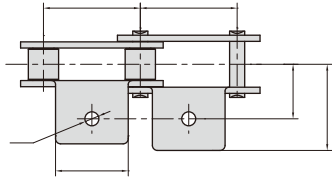
东华链号 Donghua Chain No.	P	G	L	F <sub>1</sub>	W	h <sub>4</sub>	d <sub>4</sub>	C	F <sub>2</sub>	d <sub>5</sub>
	mm	mm	mm	mm	mm	mm	mm	mm	mm	mm
208BA1F4	25.40	23.80	-	26.20	39.40	10.00	4.30	-	-	-
2060HK1F26	38.10	28.60	-	42.90	67.80	14.70	8.50	-	-	-
212BK2F2	38.10	36.20	-	34.90	55.50	13.00	6.20	-	-	-
212BA0F1	38.10	50.80	-	-	72.80	14.70	-	-	-	-
216BSA2F1	50.80	45.00	25.50	-	-	-	-	30.00	40.00	7.50

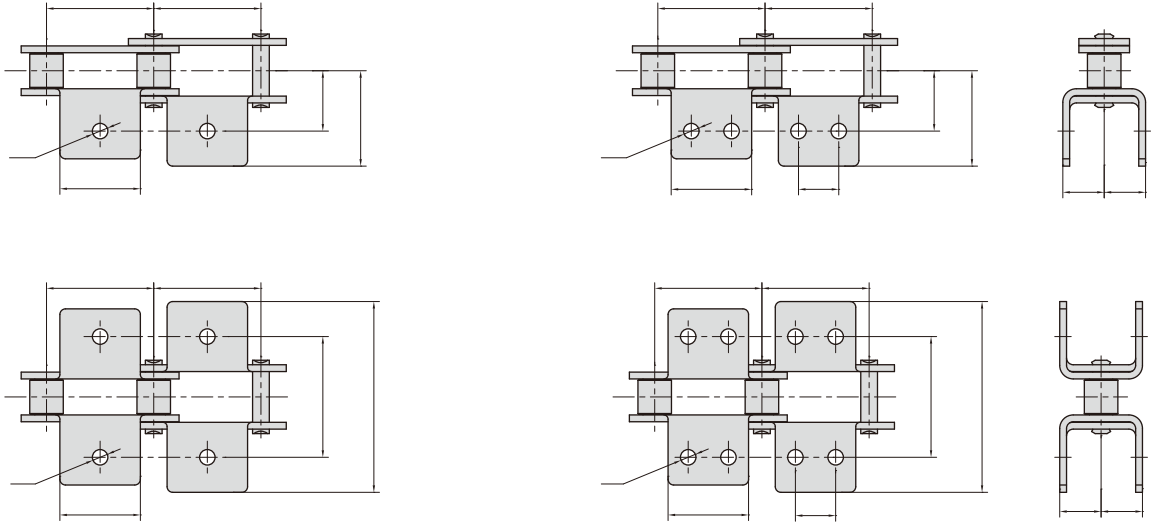




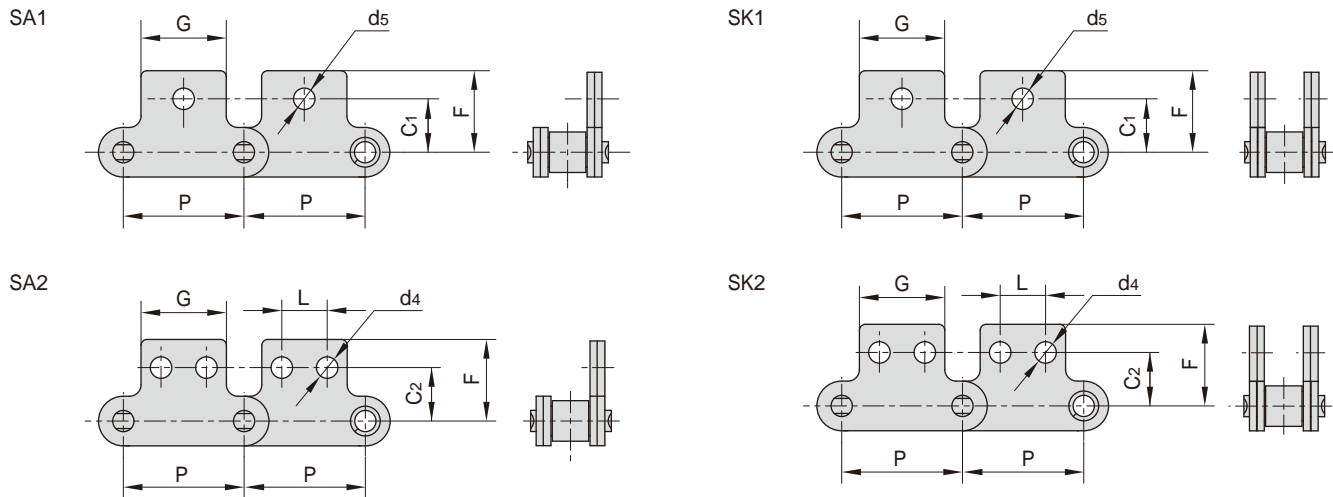






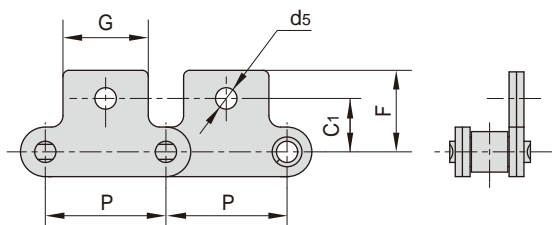


东华链号 Donghua Chain No.	ANSI 链号 ANSI Chain No.	P	G	L	F	W	h4	d4
		mm	mm	mm	mm	mm	mm	mm
C208A C208AL	C2040 C2042	25.40	19.1	9.5	25.4	39.6	9.10	3.4
C208B C208BL		25.40	23.2	12.7	25.4	39.6	9.10	4.5
C210A C210AL	C2050 C2052	31.75	23.8	11.9	31.8	49.0	11.10	5.5
C212A C212AL	C2060 C2062	38.10	28.6	14.3	42.9	67.8	14.70	5.5
C212AH C212AHL	C2060H C2062H	38.10	28.6	14.3	42.9	67.8	14.70	5.5
C216A C216AL	C2080 C2082	50.80	38.1	19.1	55.6	87.8	19.10	6.8
C216AH C216AHL	C2080H C2082H	50.80	38.1	19.1	55.6	87.8	19.10	6.8
100HAA1F1		31.75	35.0	-	71.2	93.4	35.75	8.0
A2050AA1F1		31.75	20.0	-	47.0	66.0	35.50	8.1
2060AA2F1		38.10	38.1	19.0	37.5	57.5	14.80	6.5
C2062AA1F1		38.10	14.0	-	33.4	52.0	9.00	6.4
C2080K1F4		50.80	38.1	-	80.0	112.0	15.30	8.5
C2082HAA1F1		50.80	25.0	-	78.8	128.8	17.50	8.0
C2082HAA1F2		50.80	25.0	-	77.8	127.8	17.50	12.0
C2100HF6AA1		63.50	47.8	-	68.0	100.0	23.40	10.0
C2120AA1F1		76.20	31.8	-	88.7	115.6	35.00	10.5
C2122HAA1		76.20	57.2	-	79.3	121.4	27.80	11.0

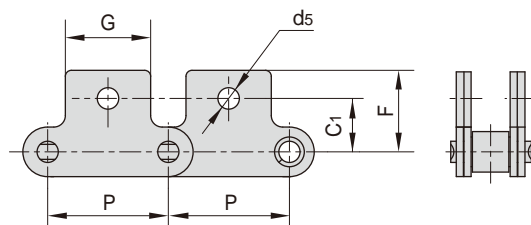


东华链号 Donghua Chain No.	ANSI 链号 ANSI Chain No.	P	G	L	C <sub>1</sub>	C <sub>2</sub>	F	d <sub>4</sub>	d <sub>5</sub>
		mm	mm	mm	mm	mm	mm	mm	mm
C208A	C2040	25.40	19.10	9.50	11.1	13.50	20.5	3.4	5.50
C208AL	C2042								
C208B		25.40	23.20	12.70	11.1	13.50	20.5	4.5	5.50
C208BL									
C210A	C2050	31.75	23.80	11.90	14.3	15.90	25.0	5.5	6.60
C210AL	C2052								
C212A	C2060	38.10	28.60	14.30	17.5	19.10	32.9	5.5	9.20
C212AL	C2062								
C212AH	C2060H	38.10	28.60	14.30	17.5	19.10	32.9	5.5	9.20
C212AHL	C2062H								
C216A	C2080	50.80	38.10	19.10	22.2	25.40	43.5	6.6	11.00
C216AL	C2082								
C216AH	C2080H	50.80	38.10	19.10	22.2	25.40	43.5	6.6	11.00
C216AHL	C2082H								
C220A	C2100	63.50	47.60	23.80	28.6	31.80	50.4	8.4	13.00
C220AL	C2102								
C220AH	C2100H	63.50	47.60	23.80	28.6	31.80	50.4	8.4	13.00
C220AHL	C2102H								
C2042HWSA2		25.40	37.30	9.50	-	13.50	20.5	3.4	-
C2050HWSA2F1		31.75	46.75	31.75	-	15.90	25.0	5.5	-
C2060SA2F1		38.10	28.60	14.30	-	19.10	26.1	5.5	-
C2062HSK2F1		38.10	28.60	14.30	-	19.10	23.8	5.2	-
C2060HSK1F1		38.10	28.60	-	17.3	-	30.0	-	11.80
C216AH2F		50.80	38.10	19.10	-	25.40	43.5	6.5	-
C2082F58SA1		50.80	38.50	-	27.0	-	39.5	-	8.10
C2100HSA1		63.50	47.60	-	28.6	-	50.4	-	13.00
C224ALSK2F1		76.20	57.20	28.60	-	37.30	59.9	-	11.00
C2122HSA1F1		76.20	57.20	-	37.3	-	59.9	-	14.30
C224AHLSA2F1		76.20	57.20	28.60	-	37.30	59.9	-	9.53
208BSK1F2		25.40	14.00	-	17.7	-	21.3	-	3.20
208BSK1F3		25.40	13.00	-	14.7	-	26.7	-	3.10
208BSK1F4		25.40	24.20	-	14.3	-	20.5	-	4.20

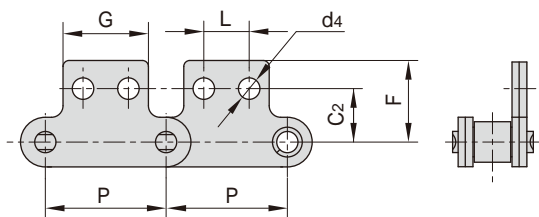
SA1



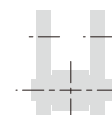
SK1



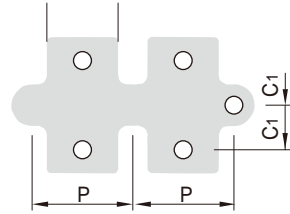
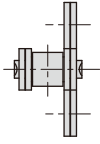
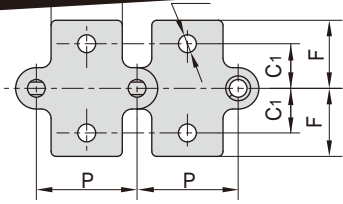
SA2

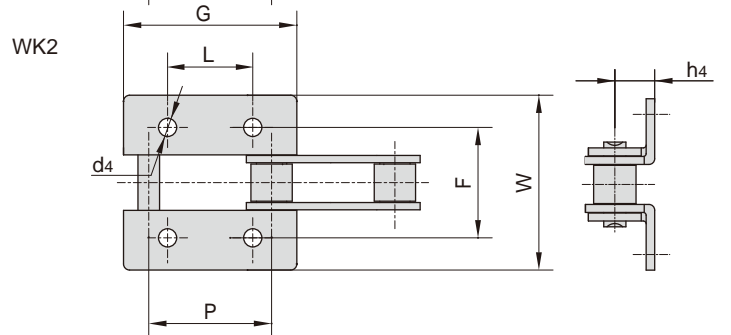
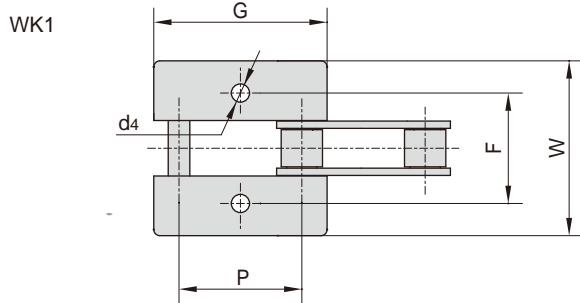
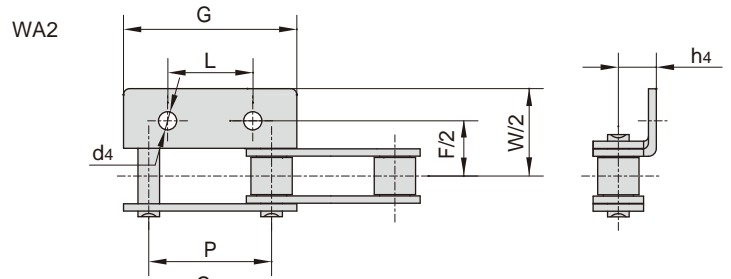
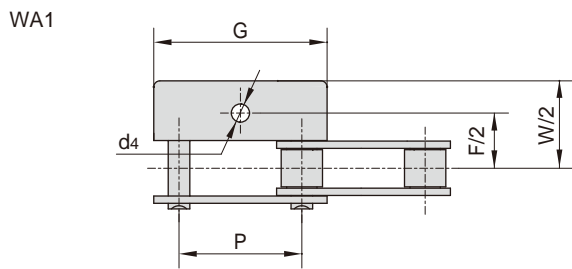


SK2

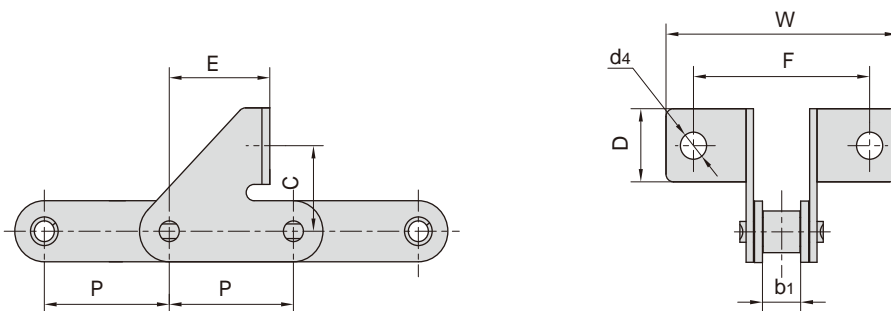


SAA1



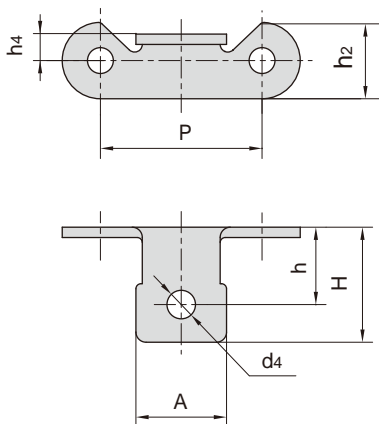


东华链号 Donghua Chain No.	P	G	L	F	W	h4	d4
	mm	mm	mm	mm	mm	mm	mm
C2040HWK12 mm		37.00	-	62.00	110.00	10.65	7.00
		37.00	-	62.00	110.00	9.10	7.00
		37.40	-	42.50	65.50	6.00	7.00
		37.20	12.70	28.00	42.00	8.50	5.50
		37.20	25.40	28.00	42.00	8.50	5.50
		46.80	-	76.20	95.20	7.50	7.10
		46.75	30.00	48.52	65.52	15.00	6.50
		54.10	19.00	35.20	54.80	12.20	6.40
		54.10	19.00	35.00	54.80	12.70	7.00
		56.00	32.00	42.90	72.00	14.70	5.50
		56.10	38.10	42.90	58.50	14.70	5.50
		55.60	-	76.20	95.30	8.70	7.10
		56.00	-	76.00	95.00	9.00	7.30
		56.10	14.30	42.90	67.80	14.70	5.50
		55.60	38.10	76.20	95.30	8.70	7.10
		63.50	38.10	76.20	96.00	17.50	6.35
		56.10	38.10	42.90	67.80	14.70	6.50
		56.10	38.10	43.00	68.00	14.70	7.80
		71.80	25.40	58.00	80.00	17.00	8.40
		74.80	-	55.60	87.80	19.10	10.50
		74.80	50.80	55.60	87.80	19.10	6.80
		74.80	50.80	55.60	88.00	19.10	8.40
		74.80	56.80	55.60	87.80	19.10	6.80
		74.80	30.00	60.00	84.00	18.00	8.50
		76.20	-	57.20	82.60	35.60	12.70
		74.80	50.80	55.60	88.00	14.00	7.00
		74.80	44.30	62.20	88.00	19.10	7.00
		93.50	63.50	66.60	107.40	23.40	8.40
		47.60	23.80	66.60	107.50	23.40	M8
		93.50	50.00	97.80	127.80	15.00	13.00 × 9.00
	111.90	76.20	79.30	121.40	27.80	11.00	

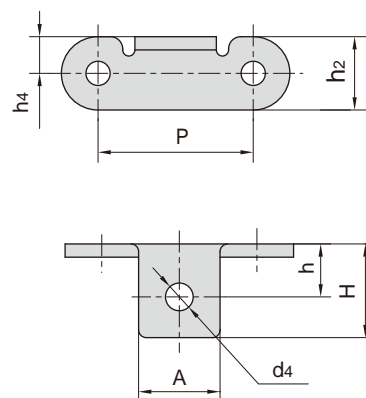


东华链号 Donghua Chain No.	P	b <sub>1</sub>	F	W	C	D	E	d <sub>4</sub>
	mm	mm	mm	mm	mm	mm	mm	mm
C2050SD	31.75	9.40	45.0	59.0	21.2	18.0	25.7	6.6
C2062H ORSDF1	38.10	12.57	52.0	67.0	30.0	22.5	31.4	6.3

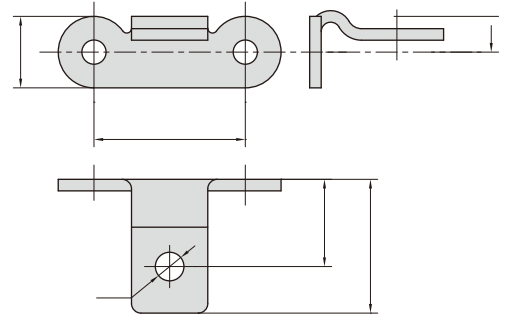
C2052A1F1



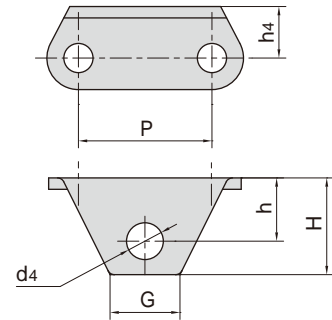
C2062HA1F4



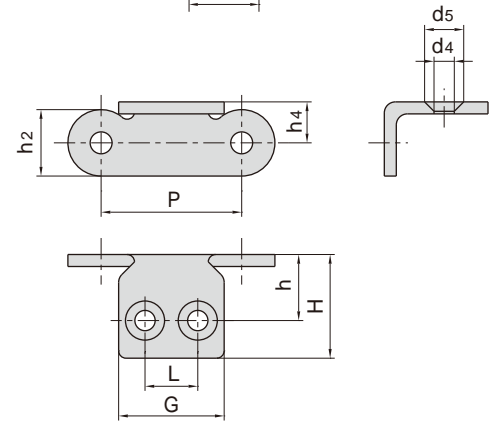
东华链号 Donghua Chain No.	P	A	h	H	h <sub>2</sub>	h <sub>4</sub>	d <sub>4</sub>
	mm	mm	mm	mm	mm	mm	mm
C2052A1F1	31.75	17.8	14.7	22.6	15.0	5.2	6.5
C2062HA1F4	38.10	20.0	13.0	23.0	18.0	9.0	6.8



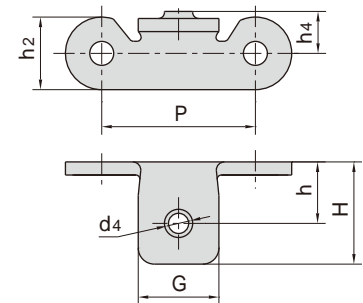
东华链号 Donghua Chain No.	P	G	h <sub>4</sub>	h	H	d <sub>4</sub>
	mm	mm	mm	mm	mm	mm
C2060HK1F31	38.10	20.30	14.70	18.10	27.600	10.50
C2060K1F37	38.10	21.40	14.70	15.00	24.200	10.50



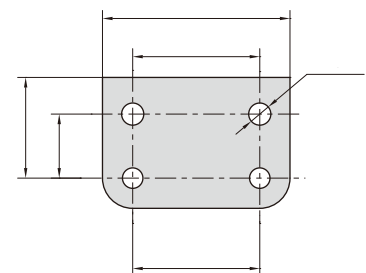
东华链号 Donghua Chain No.	P	h <sub>2</sub>	h	h <sub>4</sub>	H	L	G	d <sub>4</sub>	d <sub>5</sub>
	mm	mm	mm	mm	mm	mm	mm	mm	mm
C2062HA2F91	38.10	17.50	15.05	8.00	27.00	14.30	28.00	5.50	10.60
C220ALA2F7	63.50	30.00	31.00	15.00	46.00	30.40	52.00	9.00	-
C220ALA2F8	63.50	30.00	27.80	15.00	48.20	23.80	47.60	9.20	-

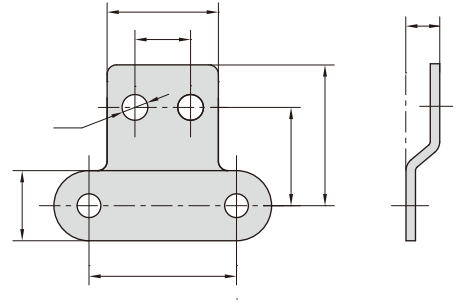


东华链号 Donghua Chain No.	P	h <sub>2</sub>	h <sub>4</sub>	h	H	G	d <sub>4</sub>
	mm	mm	mm	mm	mm	mm	mm
C2062HA1F29	38.10	18.00	10.40	15.30	25.40	20.00	M6
C2082HA1F25	50.80	24.00	11.00	22.68	35.18	25.00	M8

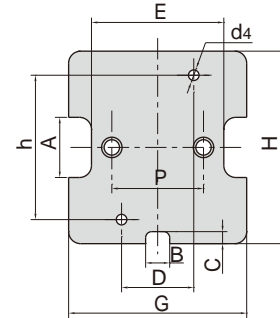


东华链号 Donghua Chain No.	P	L	G	C	F	d <sub>4</sub>
	mm	mm	mm	mm	mm	mm
C2050HWSA2F1	31.75	31.75	46.75	15.90	25.00	5.50

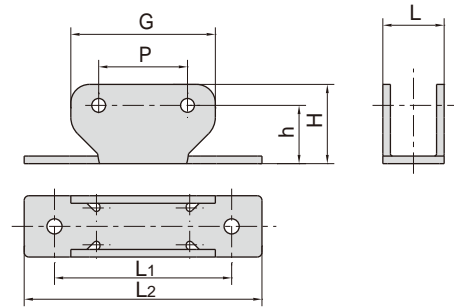




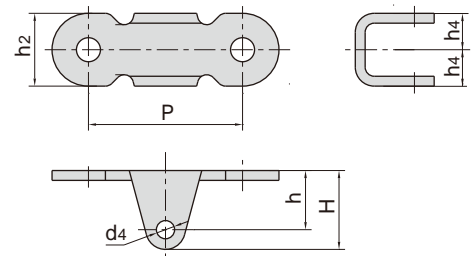
东华链号 Donghua Chain No.	P	G	h	H	A	B	C	D	E	d4
	mm	mm	mm	mm	mm	mm	mm	mm	mm	mm
C2062F82	38.10	74.00	60.00	80.00	25.00	10.00	5.00	30.00	55.00	M6



东华链号 Donghua Chain No.	P	G	h	H	L	L1	L2
	mm	mm	mm	mm	mm	mm	mm
C2062HU1F1	38.10	62.00	25.00	34.00	26.30	76.00	102.00



东华链号 Donghua Chain No.	P	h2	h4	h	H	d4
	mm	mm	mm	mm	mm	mm
C2082F1AA1-D3	50.80	24.00	12.00	19.50	26.00	6.00



东华链号 Donghua Chain No.	P	G	h2	h4	h	H	d4
	mm	mm	mm	mm	mm	mm	mm
C2082HF76	50.80	30.00	24.00	9.50	21.20	34.20	8.50

