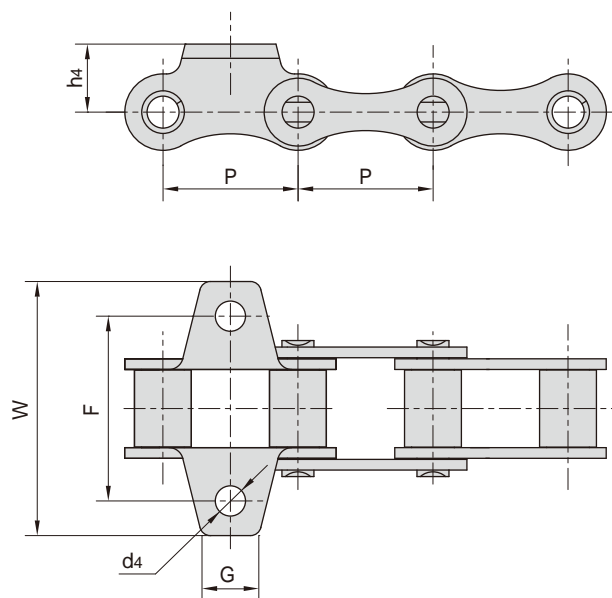
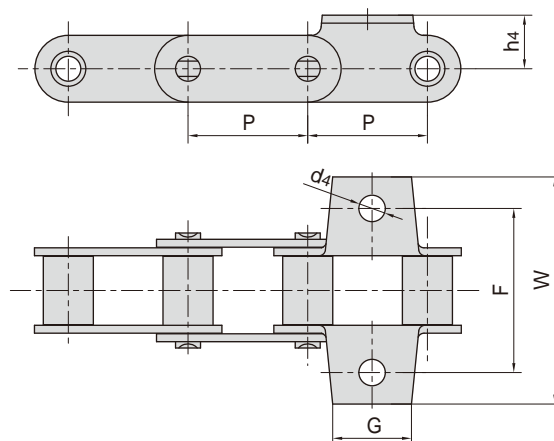


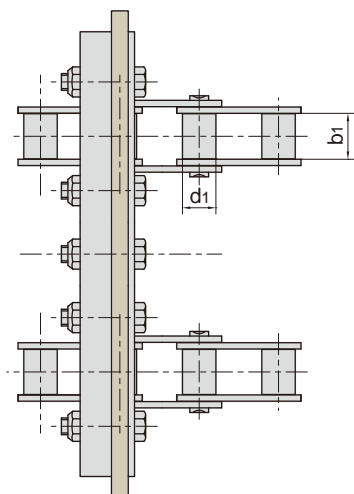
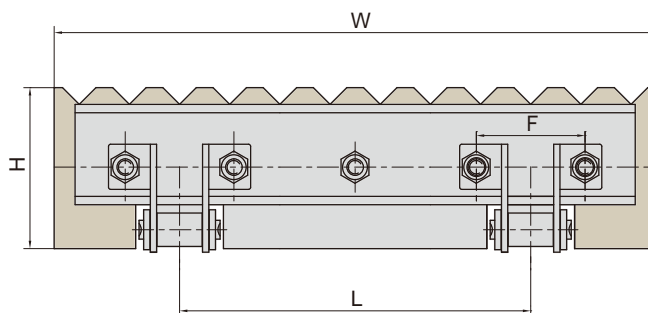
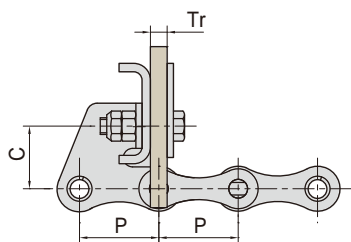
东华链号 Donghua Chain No.	P	G	F	W	h ₄	d ₄
	mm	mm	mm	mm	mm	mm
ZGS38F2	38.0	16.0	52.0	71.5	19.6	11.0
ZGS38F6K1	38.0	16.0	52.0	74.6	19.6	8.5
ZGS38F10K1	38.0	20.0	52.0	72.0	17.0	8.4
ZGS38F13K1F1	38.0	20.0	52.0	80.0	17.0	8.6
ZGS38HF12K1F1	38.0	25.0	52.0	72.0	17.0	8.4
ZGS38F18	38.0	16.0	52.0	69.6	19.6	8.5
ZGS38F42K1	38.0	16.0	52.0	74.6	19.6	8.5
ZGS38F43K1	38.0	16.0	52.0	74.6	19.6	11.0
ZGS38F46	38.0	16.0	52.0	74.6	20.0	8.5



东华链号 Donghua Chain No.	P	G	F	W	h ₄	d ₄
	mm	mm	mm	mm	mm	mm
CZGS38F10K1	38.0	20.0	52.0	72.0	17.0	8.4
CZGS38F13K1F1	38.0	26.5	52.0	80.0	17.0	8.6







东华链号 Donghua Chain No.	节距	滚子直径	内节内宽	橡胶附板尺寸				
	Pitch	Roller diameter	Width between inner plates	Rubber attachment dimension				
	P	d1 max	b1 max	W max	L	H max	F	Tr
	mm	mm	mm	mm	mm	mm	mm	mm
ZGS38F47	38.0	16.0	22.0	480.0	360.0	77.0	52.0	8.0

