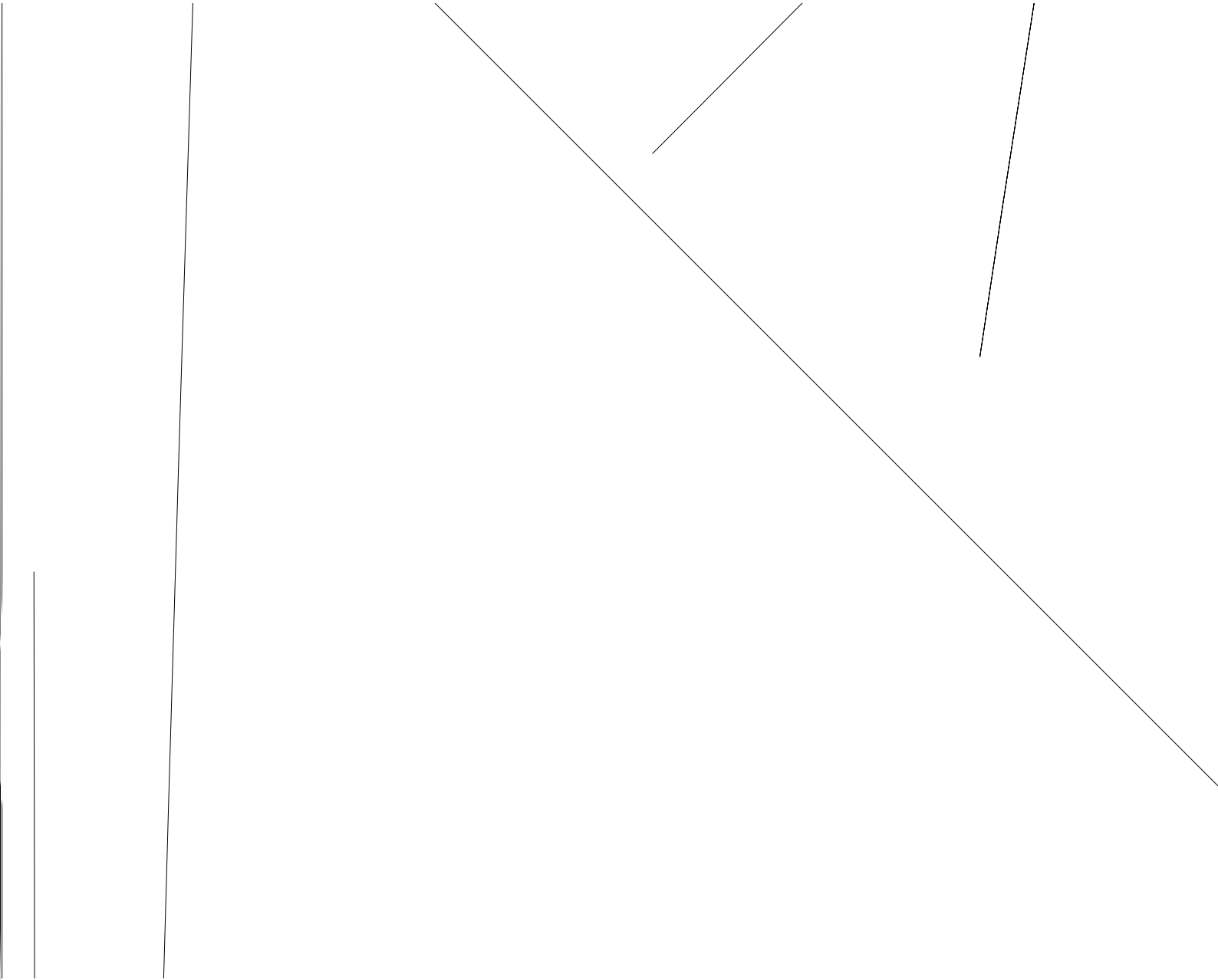
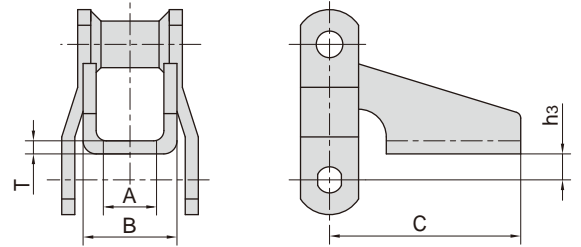


带A1隔板 With A1 attachments



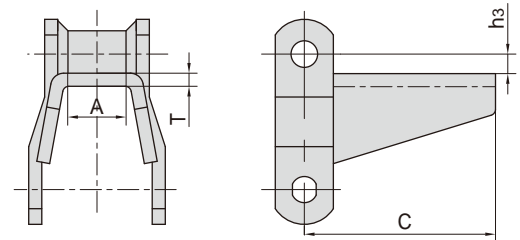
东华链号 Donghua Chain No.	h <sub>3</sub> mm	A mm	B mm	C mm	T mm
WR78 WH78	12.7	22.4	50.8	93.5	6.4
WR82 WH82	15.7	28.4	57.2	93.5	6.4

H1附件 With H1 attachments



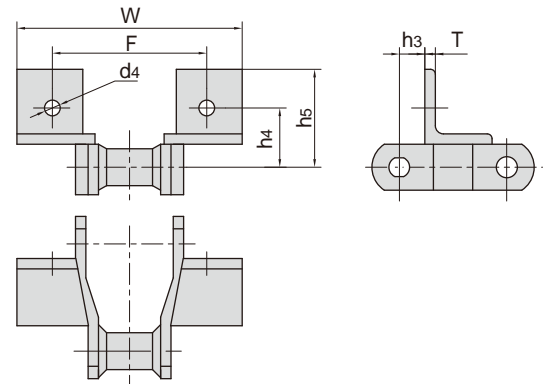
东华链号 Donghua Chain No.	h <sub>3</sub> mm	A mm	C mm	T mm
WR78 WH78	7.9	20.8	93.5	6.4
WR82 WH82	7.9	26.4	96.8	6.4

H2附件 With H2 attachments



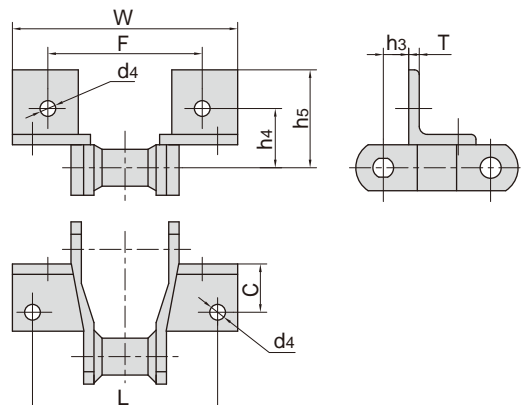
东华链号 Donghua Chain No.	h <sub>3</sub> mm	h <sub>4</sub> mm	h <sub>5</sub> mm	F mm	W mm	d <sub>4</sub> mm	T mm
WR78 WH78	15.7	36.6	60.5	95.5	138.2	9.7	6.4

带F2附件 With F2 attachments



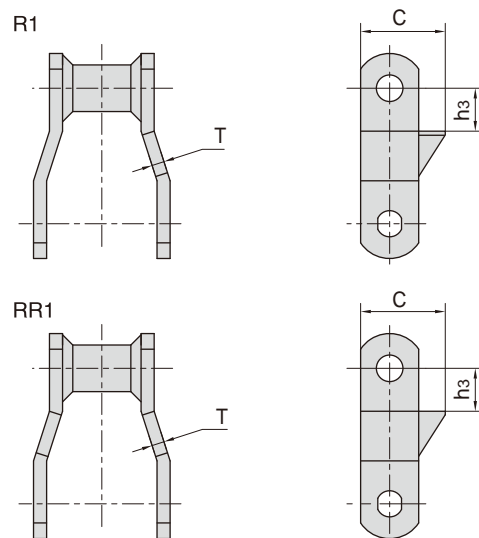
东华链号 Donghua Chain No.	h <sub>3</sub> mm	h <sub>4</sub> mm	h <sub>5</sub> mm	L mm	C mm	F mm	W mm	d <sub>4</sub> mm	T mm
WR78 WH78	17.3	44.4	60.5	114.3	31.8	95.2	141.2	9.7	6.4
WR82 WH82	20.6	46.2	62.0	127.0	28.4	104.6	150.9	9.7	6.4
WR124 WH124	22.4	52.3	73.2	133.6	36.6	111.3	157.0	9.7	9.7

带F4附件 With F4 attachments



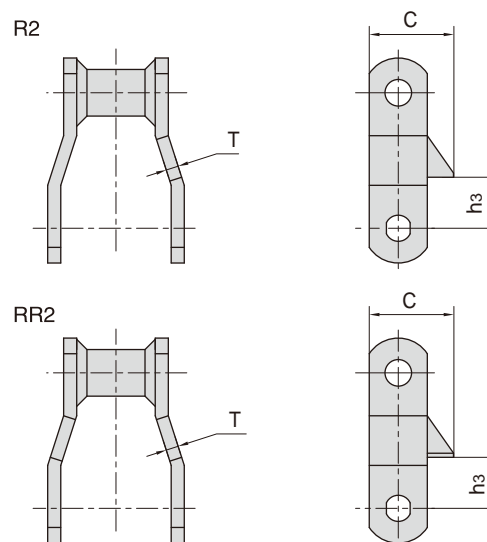
东华链号 Donghua Chain No.	h <sub>3</sub>	C	T
	mm	mm	mm
WR78 WH78	17.3	41.1	6.4
WR82 WH82	22.4	49.3	6.4
WR124 WH124	31.8	49.3	9.7

带R1 & RR1附件  
With R1 & RR1 attachments



东华链号 Donghua Chain No.	h <sub>3</sub>	C	T
	mm	mm	mm
WR78 WH78	17.3	41.1	6.4
WR82 WH82	22.4	49.3	6.4
WR124 WH124	31.8	49.3	9.7

带R2 & RR2附件  
With R2 & RR2 attachments



东华链号 Donghua Chain No.	h <sub>3</sub>	W	T
	mm	mm	mm
WR78 WH78	19.1	153.9	6.4
WR82 WH82	23.9	166.6	6.4
WR124 WH124	30.0	217.4	6.4
WR124H WH124H	35.1	217.4	9.7
WR132 WH132	38.1	316.0	9.7

带W1附件  
With W1 attachments

