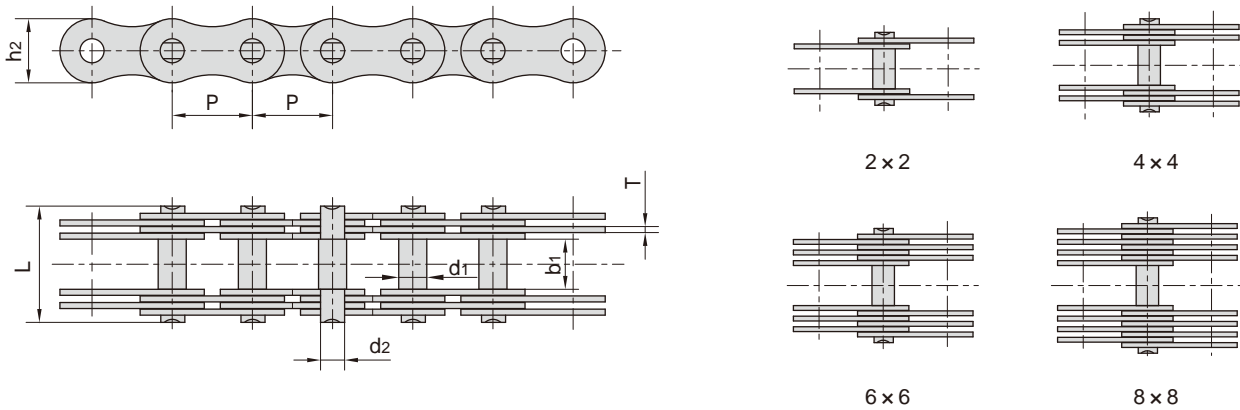


Gall's chains

链板组合
Plate lacing



东华链号 Donghua Chain No.	节距 Pitch	内节内宽 Width between inner plates	链板组合 Plate lacing	销轴直径 Pin diameter		销轴长度 Pin length	链板高度 Plate depth	链板厚度 Plate thickness	抗拉强度 Tensile strength	每米长重 Weight per meter
	P	b1 min		d1 max	d2 max	L max	h2 max	T max	Q min	q
	mm	mm		mm	mm	mm	mm	mm	kN/lbf	kg/m
MP15	15	12	2 × 2	5	4	25	12	2.03	5.0/1125	0.7
MP20	20	15	2 × 2	8	6	28	15	2.03	12.5/2812	1.1
MP25	25	18	2 × 2	10	8	36	18	3.00	25.0/5624	1.8
MP30	30	20	4 × 4	11	9	51	20	3.00	40.0/8999	3.4
MP35	35	22	4 × 4	12	10	53	26	3.00	60.0/13498	4.5
MP40	40	25	4 × 4	14	12	58	32	3.00	80.0/17998	5.0
MP45	45	30	4 × 4	17	14	63	35	3.00	100.0/22497	7.0
MP50	50	35	4 × 4	22	18	90	40	4.50	150.0/33746	11.3
MP55	55	40	4 × 4	24	21	108	42	6.00	200.0/44994	14.5
MP60	60	45	4 × 4	26	23	114	46	6.00	250.0/56243	17.1
MP70	70	50	6 × 6	32	28	148	55	6.00	375.0/84364	34.0
MP80	80	60	6 × 6	36	32	159	60	6.00	500.0/112486	39.0
MP90	90	70	6 × 6	40	36	184	70	7.00	750.0/168728	53.0
MP100	100	80	8 × 8	45	40	224	80	7.00	1000.0/224972	77.0
MP110	110	90	8 × 8	50	45	236	90	7.00	1250.0/281215	90.0
MP120	120	100	8 × 8	55	50	262	100	8.00	1500.0/337458	112.0

链板组合
Plate lacing